



# Ice Cream Dipping Cabinet

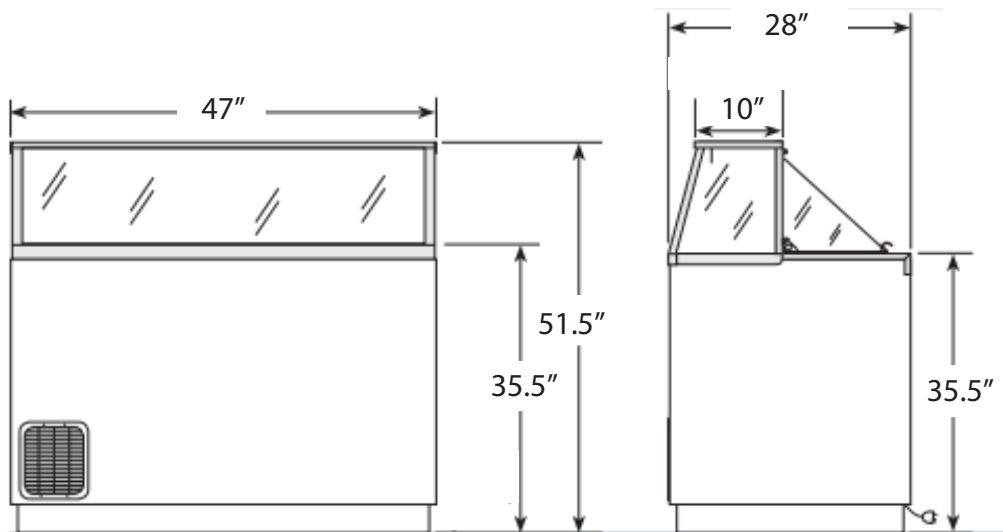
ECDC46



## Features

- \* White steel interior and exterior with stainless steel framing
- \* Fits 8 ice cream tubs
- \* Storage space fits 4 ice cream tubs
- \* Includes anti-rotation tub holders and plastic covers
- \* Transparent roll-top cover with full length handle to easily access and cover open tubs
- \* Plexi Glass sneeze guard with stainless steel framing and top shelf
- \* LED lighting mounted to sneeze guard with on/off switch
- \* Panel cooling system
- \* Self-evaporation water tray
- \* Digital temperature controller & defrost timer
- \* Temperature range -24 °C to -15°C

## Technical Drawing



Model	Dimension W x D x H	Weight (lbs / kg)
ECDC46	47" x 28" x 51.5"	346/157

## Voltage

- ECDC46 : 115V / 1ph / 60 Hz / 5.16A